

Purifyzer™

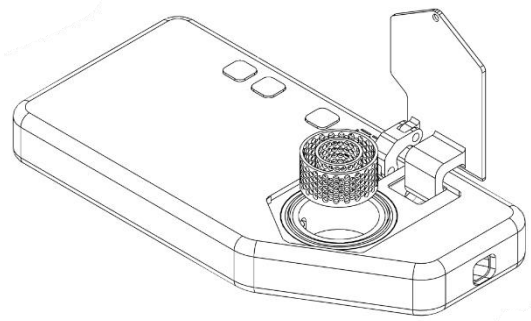
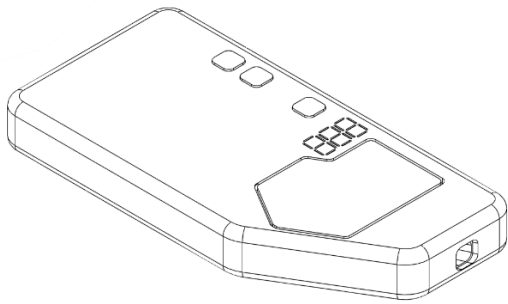
User Guide

2020 © Synergy Scientific, LLC | All Rights Reserved

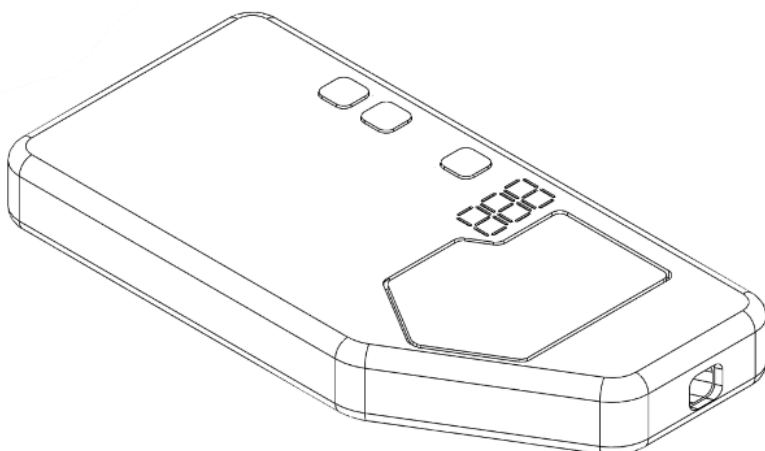
support@purifyzer.com

www.purifyzer.com

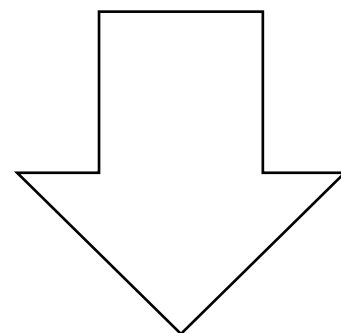
Usage Summary



- Open the lid.
- Remove, pack and re-insert the bowl.
- Close the lid.
- Set your temperature.
- Inhale gently for about 10 seconds.
- If the Purifyzer is vibrating, that means you're inhaling too hard and need to inhale slower.
- Open the lid and rotate the bowl periodically to expose new sections of herb to be vaporized.
- Let cool for a few moments if device gets too warm.



Scroll & Learn!



Display Messages

Battery Level: Briefly flashes as a percentage when the Purifyzer is turned on.

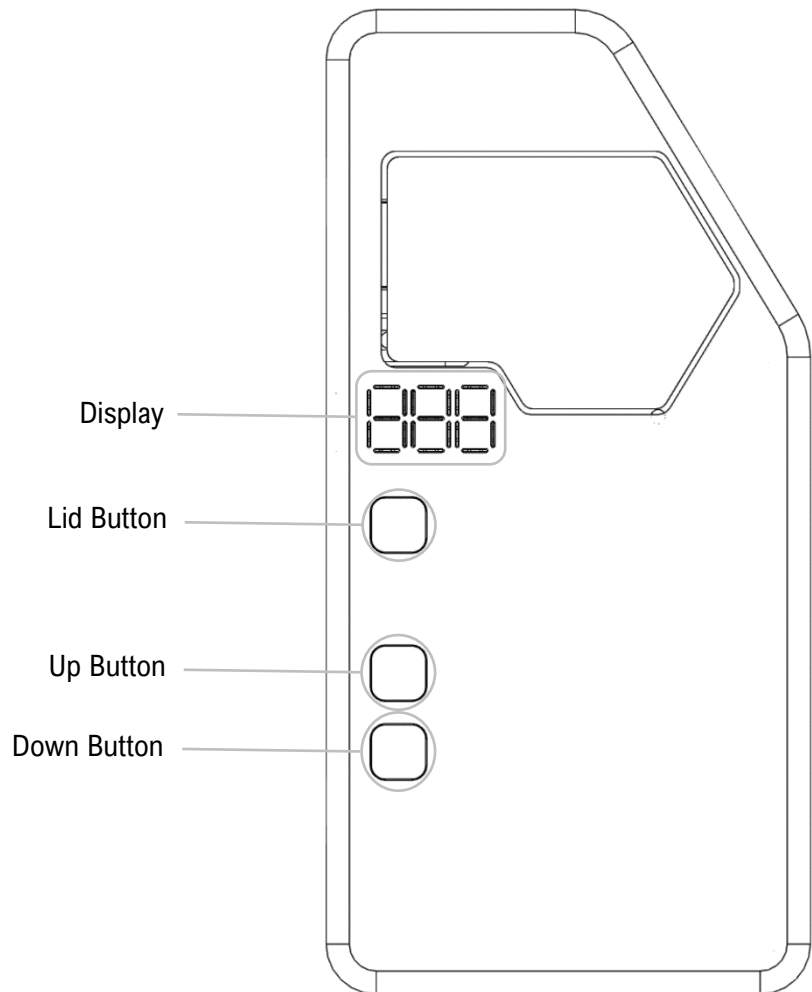
Charging: The display animates when the Purifyzer is plugged in.

Charge Complete: The display shows "100".

Low Battery Shutoff: The display flashes "Lo".

Auto Shutoff: The display turns off after a short while of device inactivity, or if the device gets too warm or cold to protect the battery.

If none of the prior events are occurring, the user-adjustable temperature is shown in Fahrenheit on the display.



User Functions

Turn On: Press & Hold the *Up Button*.

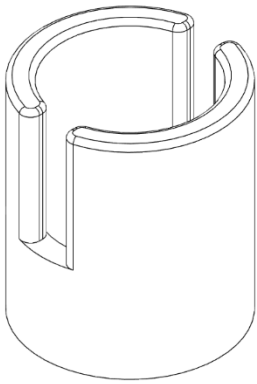
Turn Off: Quickly press the *Up Button* & *Down Button* at the same time.

Increase Temperature: Press the *Up Button*.

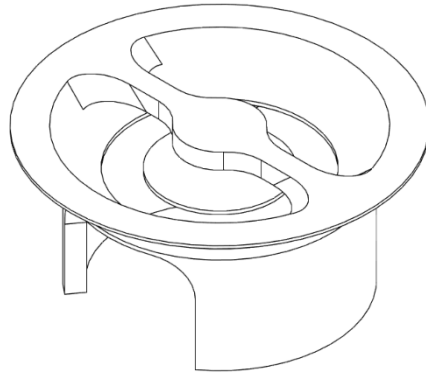
Decrease Temperature: Press the *Down Button*.

Open or Close Lid: Press & hold the *Lid Button*.

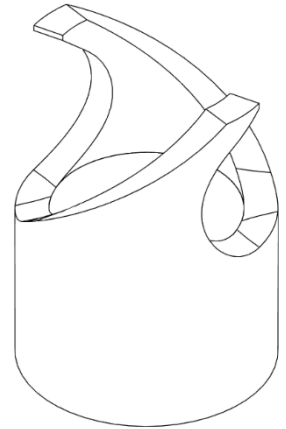
Included Accessories



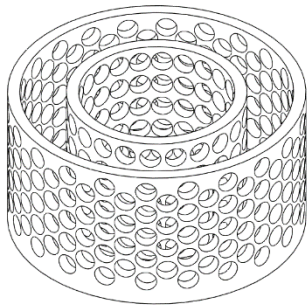
Ram



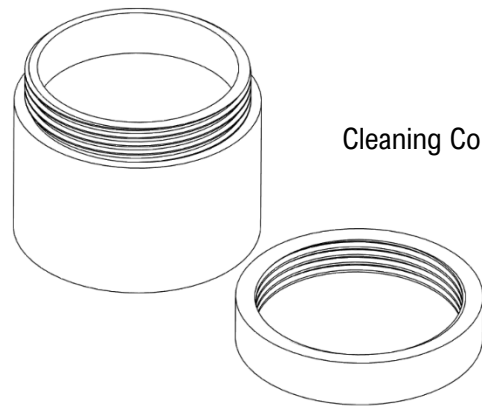
Funnel



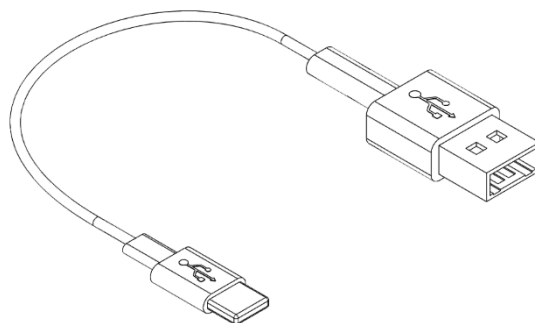
Extractor



Stainless Steel Bowl



Cleaning Container

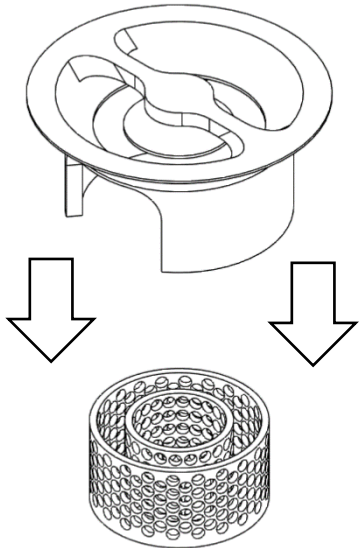


3' (1m) Long USB-A to USB-C Charging Cable

Packing the Bowl

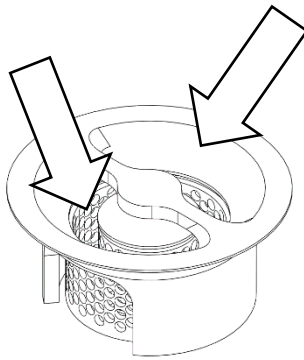
1

Place the bowl on a sturdy surface; then place the Funnel over the bowl.



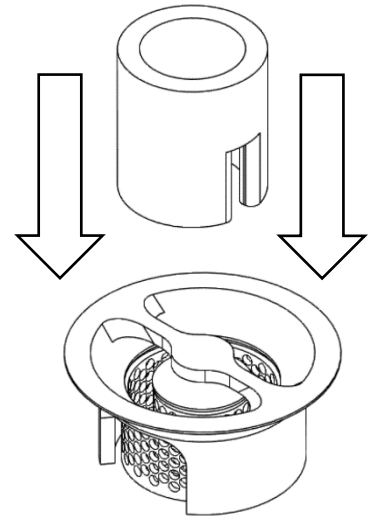
2

Be gentle as you loosely place a small amount of grinded herb into the bowl.

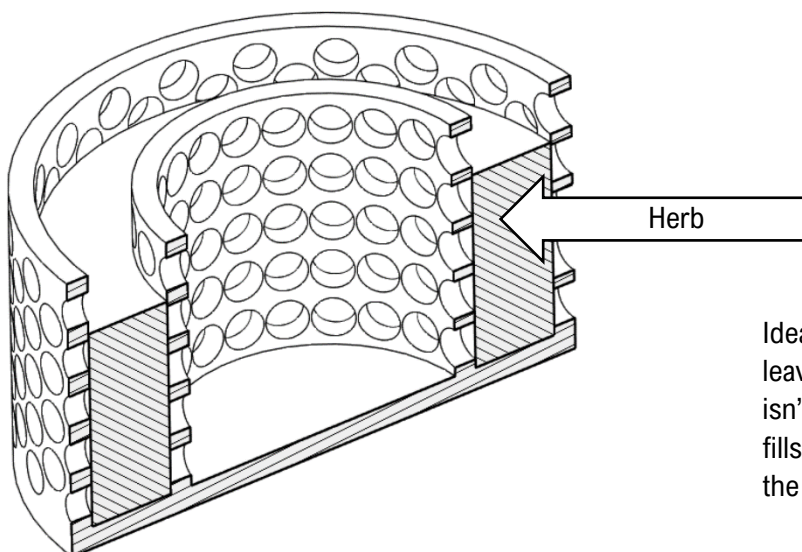
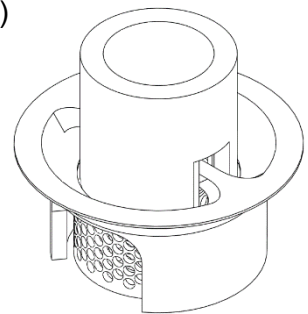


3

While holding the Funnel with your hand, take the Ram and very gently pack the herb into the bowl.

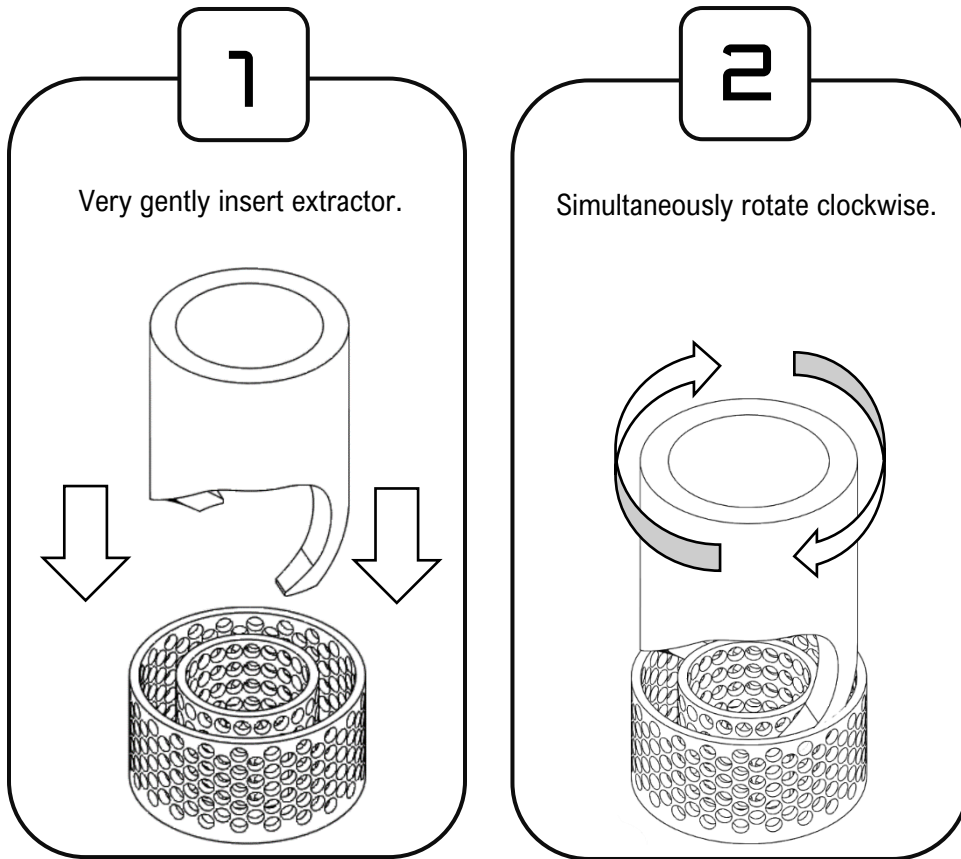


(Pictured below is the Ram partially packing down the herb into the bowl)

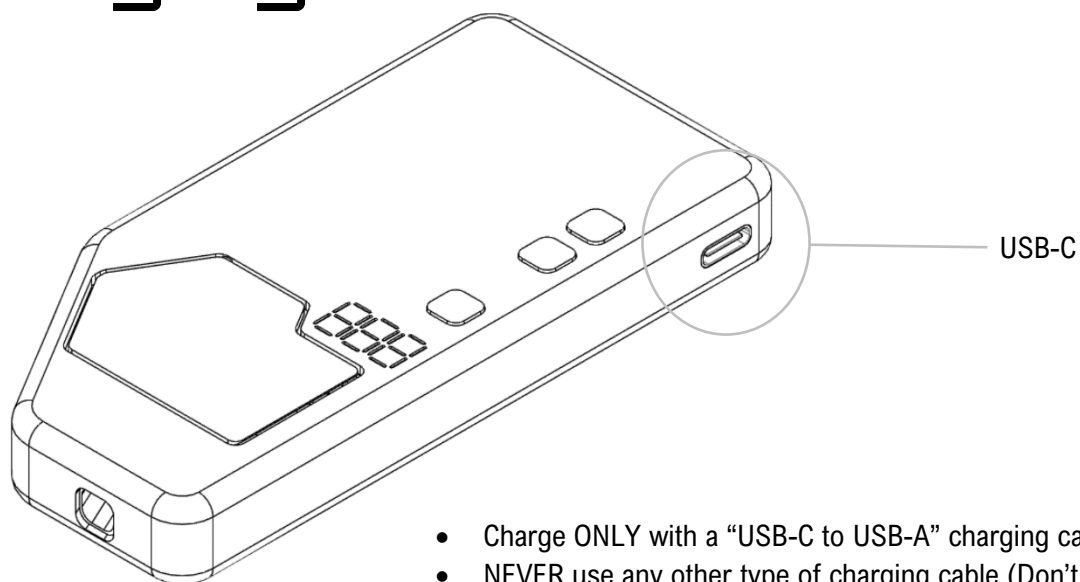


Ideally you want to gently pack the herb and leave a small gap at the top. Notice how the bowl isn't packed to the brim, and that the herb only fills the bowl to about 70% of its height. This is the proper way a bowl should be packed.

Herb Removal

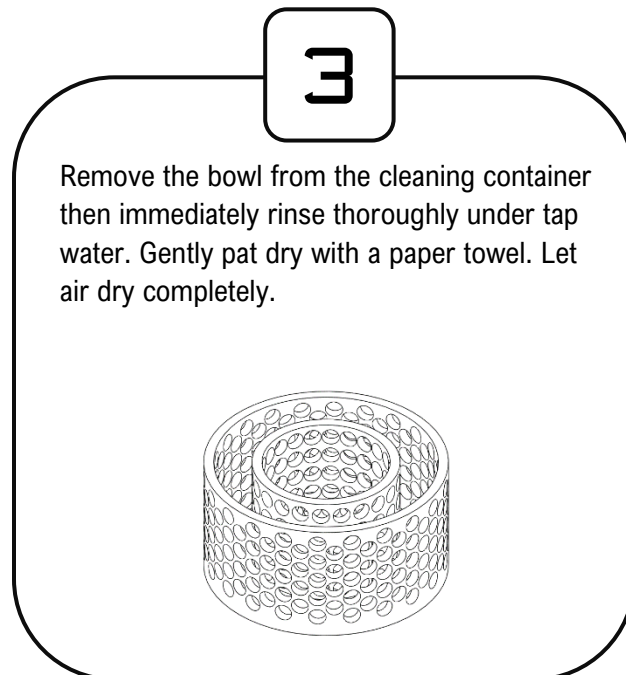
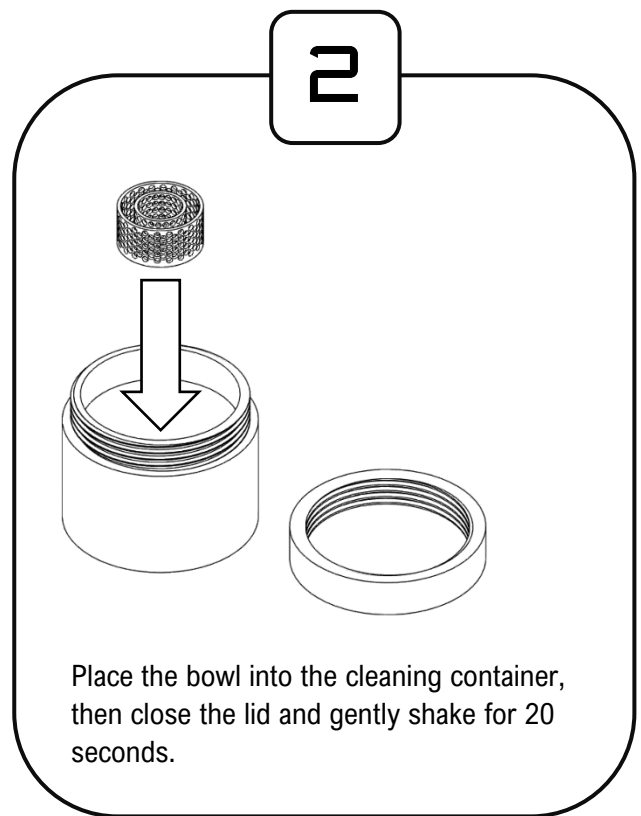


Charging



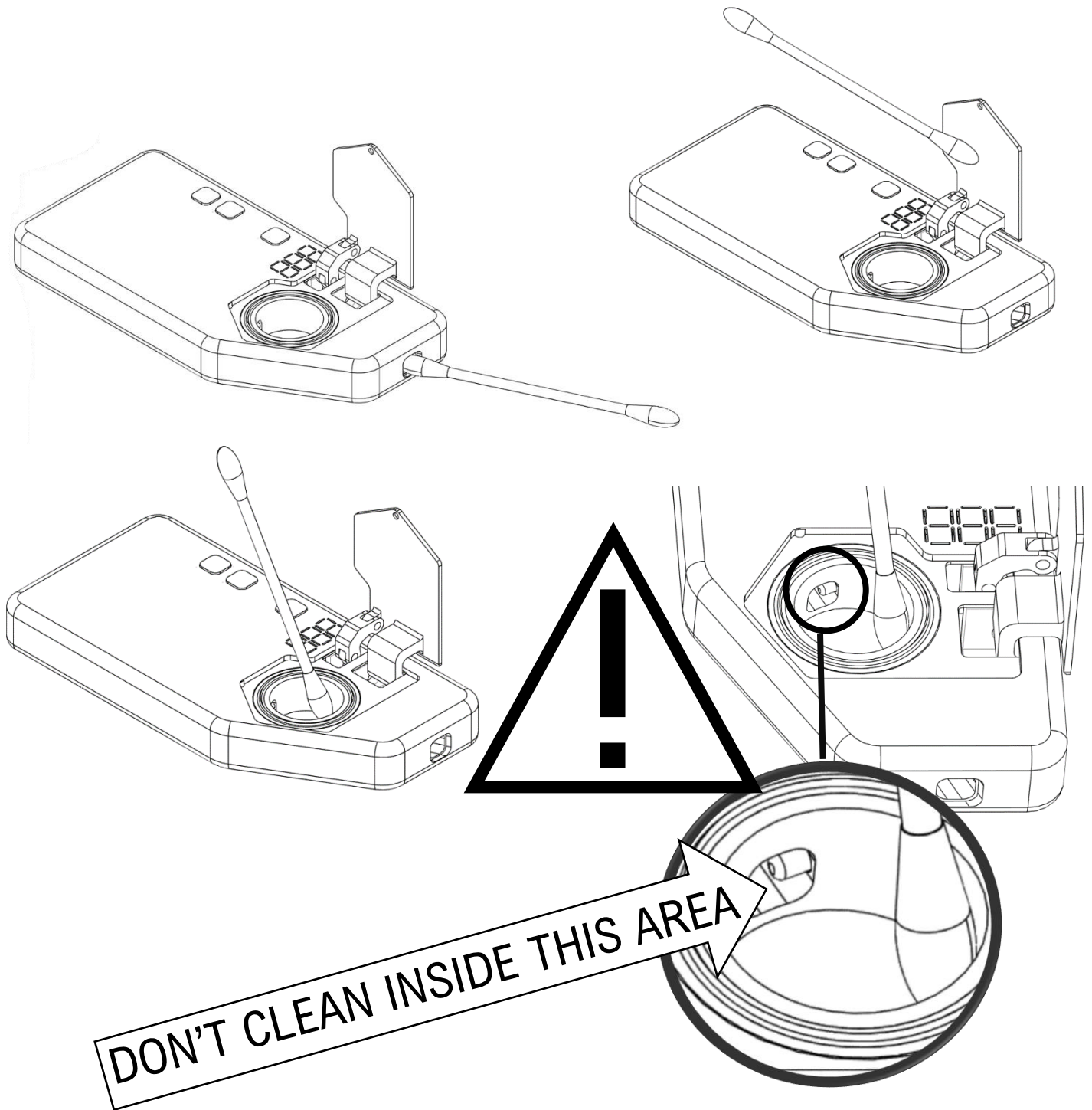
- Charge ONLY with a “USB-C to USB-A” charging cable.
- NEVER use any other type of charging cable (Don't use USB-C to USB-C).
- NEVER CHARGE UNATTENDED.
- NEVER CHARGE IN TEMPERATURES THAT EXCEED 29°C (85°F).
- NEVER CHARGE IN DIRECT SUNLIGHT/FLAMMABLE AREAS.

Bowl Cleaning



Purifyzer Cleaning

Take a cotton swab that's been lightly dabbed in isopropyl alcohol and clean throughout the airway, bowl and lid areas shown below. Conversely, do not clean in the certain areas noted below.



Warnings

- Do not leave in environments where temperature can exceed 29°C (85°F) or go below 0°C (32°F). These environments can include and certainly not limited to cars, direct sunlight, areas near windows, on top of appliances that generate heat, outdoors. Etc.
- Do not use this device unless you are fully acquainted and agree with this user guide and the other terms and conditions.
- Keep away from anybody younger than the legal smoking age in your area.
- When in use, the device may become slightly warm after several consecutive hits. Luckily, the aluminum frame dissipates this heat very quickly. Let the device cool if it becomes too warm during use. This usually takes a few moments and can be even less in cool/windy environments. Irresponsible usage may result in device malfunction/shutoff due to overheating.
- Never charge irresponsibly. Keep the charging device away from flammable items/areas (alcohol, clothing, wood, and carpet among many others). Only charge in areas that are not prone to catch fire and ensure that no matter where you charge, that there are fire extinguishing measures in place. Negligent usage (ex. Charging near a kitchen oven receiving direct sunlight in a warm room) increases the risk of potential damage to the device.